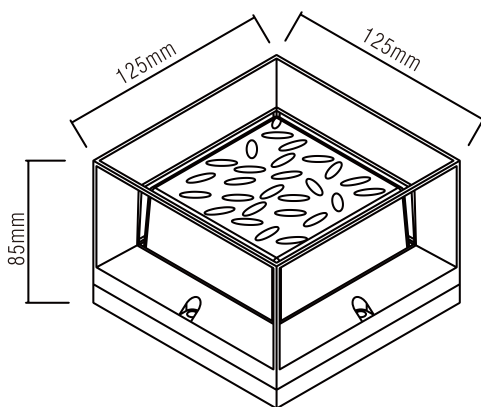


NEVWL05

CREE  CE  



CONSTRUCTION:

- F51 Die-cast aluminum housing
- Frost glass cover
- High quality LED chips
- LED driver included-IP40

APPLICATIONS:

- Wall decoration
- Corridors

Color



TECHNICAL DETAILS:

| Model | Watts | Color Temp | Lumens | CRI | Input |
|---------|-------|------------|--------|-----|-----------|
| NEVWL05 | 6.5W | 3000K | 510lm | >80 | 110- 240V |
| NEVWL05 | 6.5W | 6000K | 530lm | >80 | 110- 240V |