



# NEVBLO4



### CONSTRUCTION:

- Material: Steel pole+aluminum head+PC diffuser
- High quality LED chips
- 350°rotatable
- Beam angle: 120°
- IP54

### APPLICATIONS:

- Landscape
- Parks and plazas
- Pathways
- Villas
- Outdoor lighting

### OPTIONS:

- Bollard (Single: 480lm or double 2x6W 960lm)
- Sanded dark grey, sanded white or sanded black

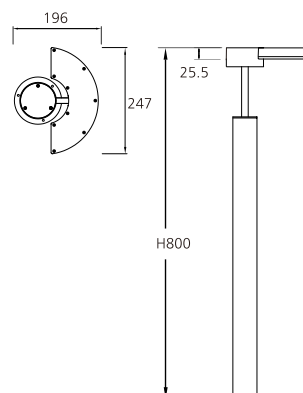
### Color



### TECHNICAL DETAILS:

Model	Watts	Color Temp	Lumens	CRI	Input
NEVBLO4-1	6W	3000K	480lm	>80	AC220-240V
NEVBLO4-2	2*6W	3000K	960lm	>80	AC220-240V

NEVBLO4-1 6W



NEVBLO4-2 2\*6W

